

PISTON ACCUMULATOR HPA

CHARGING AND TEST BLOCK HFTB NG 16 - 01

TECHNICAL DATA

MAX. PERMISSIBLE PRESSURE (PS)
400 bar

NOMINAL SIZE
16

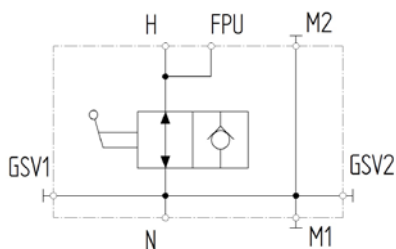
MATERIALS
Steel

PERMISSIBLE TEMPERATURES (TS)
-10°C to 80°C

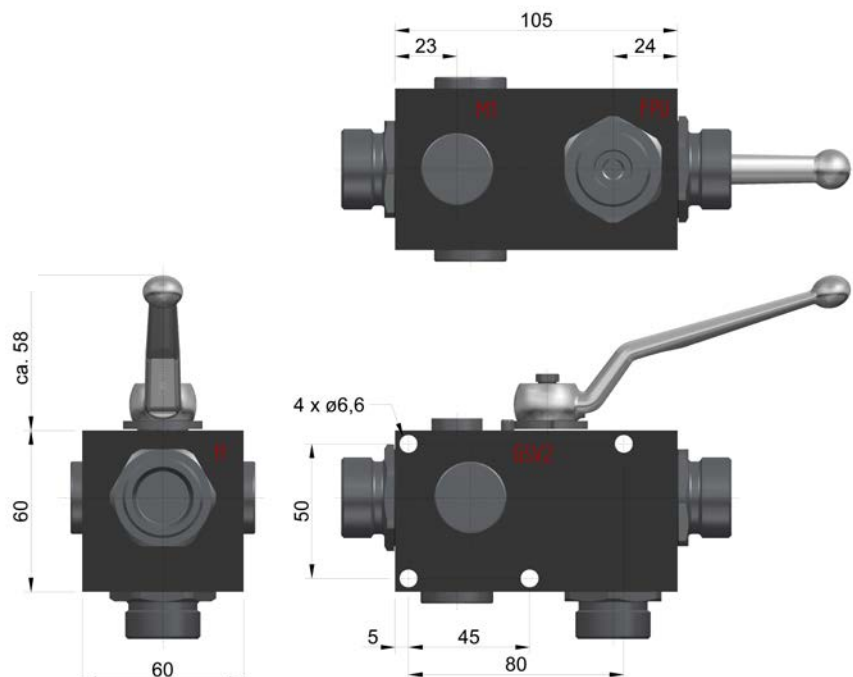
WEIGHT
3 kg



The filling and test block is the ideal accessory for mounting between the hydraulic accumulator and downstream nitrogen cylinders. The charging connector enables to apply any commercially available testing and charging devices. The other ports allow the connection of a gas safety valve and are measurement devices. The integrated ball valve enables the gas bottles to be isolated. The non-return valve function enables the gas volume to be pumped into the downstream circuit via the nitrogen supply pressure.



The port M1 and M2 can be used for a gauge or pressure sensor.



- > M1 = measuring connection 1 G ½" ISO 228
- > M2 = measuring connection 2 G ¼" ISO 228
- > GSV1 = gas safety valve 1 G ½" ISO 228
- > GSV2 = gas safety valve 2 G ½" ISO 228
- > H = hydraulic accumulator M30x2 DIN 2353 20S
- > N = nitrogen cylinders M30x2 DIN 2353 20S
- > FPU = filling and testing kit HFP M28x1.5